

Frozen
Frozen granita dispenser with 1 bowl,
electronic control with UK plug and UV
light

ITEM # _____

MODEL # _____

NAME # _____

SIS # _____

AIA # _____


562543 (IPRO1EUVR290)

 Frozen Granita Dispenser
 with 1X11 l insulated bowl, UV
 light, electronic control,
 R290 - UK plug

Short Form Specification

Item No. _____

Frozen granita dispenser with 1 bowl; the ITANK™ Technology prevents ice accumulation on the outer side of the bowl and the bowl shape allows a natural mixing action to ensure an optimum consistency of the product. Customizable lid merchandiser and back graphic. Exclusive nUV LED system for bowl sanitation. Electronic control system and touch screen keypad. Sliding drip tray. Delivered with UK plug.

Main Features

- Ideal for the production of slush.
- The insulated tank guarantees higher cooling efficiency and lower effect of the external temperature on product's preparation and maintenance time reducing condense and draining; it is the best solution in hot climate conditions.
- The ITANK™ Technology prevents ice accumulation on the outer side of the bowl, reducing condensation and increasing the cooling power of the machine.
- Bowl shape allows a natural mixing action to ensure an optimum consistency of the product.
- Customizable lid merchandiser and back graphic.
- Daily and weekly machine programming functionality.
- Exclusive nUV LED system for bowl sanitation.

Construction

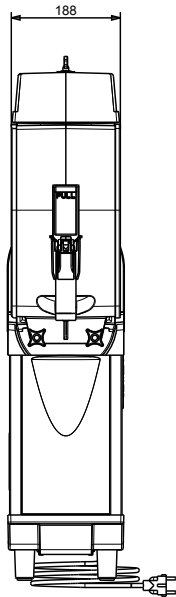
- Electronic control system and touch screen keypad.
- Sliding drip tray.

Sustainability

- When the product reaches the right consistency, an automatic stand-by mode activates in order to save energy and reduce CO2 emissions.


APPROVAL: _____

Front


Electric

Supply voltage:

562543 (IPRO1EUVR290) 220-240 V/1 ph/50 Hz

Electrical power max.:

0.46 kW

Key Information:

External dimensions, Width: 200 mm

External dimensions, Depth: 580 mm

External dimensions, Height: 870 mm

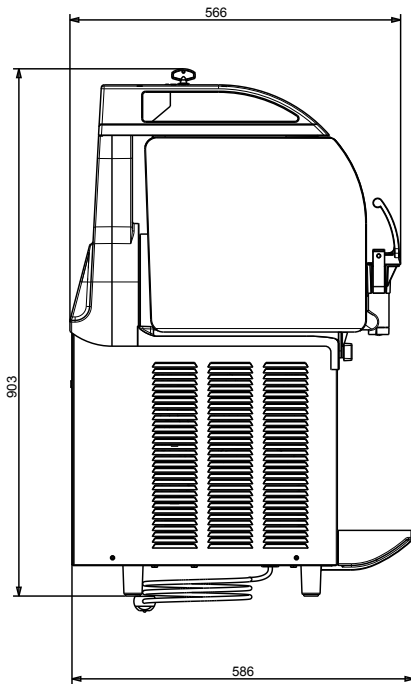
Net weight: 39 kg

Sustainability

Refrigerant type:

R290

Side



Top

